

# Exide Technologies Industrial Energy – The Industry Leader.



Exide Technologies is the global leader in stored electrical energy solutions with subsidiaries in more than 80 countries. Based on over 100 years of experience in technological innovation, we are partners of OEM and serve the spare parts market for industrial and transportation applications.

Our Global Industrial Energy Business Unit offers an extensive range of storage products and services, including solutions for telecommunications systems, railway applications, mining, photovoltaic

(solar energy), uninterruptible power supply (UPS), electrical power generation and distribution, fork lifts and electric vehicles.

Exide Technologies takes pride in its commitment to a better environment. Its Total Battery Management programme, (an integrated approach to manufacturing, distributing and recycling of lead acid batteries), has been developed to ensure a safe and responsible life cycle for all of its products.

## Exide Technologies

14.01,14Flr Plaza Permata, 6, Jln Kampar  
50400 K.L. Malaysia  
Tel : + (603) - 4041 8499  
Fax : + (603) - 4042 3499

No.6 Loyang Way 1 Singapore 508704  
Tel : + (65) 6546 2866  
Fax : + (65) 6546 2966

Part B, D4-62#, D4 plot, D District,  
70 Fu Te Road (E1), Shanghai Waigaoqiao  
Free Trad Zone, China.  
Postal Code : 200131  
Tel : + (86) 21-5868 1773  
Fax : + (86) 21-5868 1787 / 5868 0359

Shin-Kyobashi Bldg 5F 2-8-8 Kyobashi,  
Chuo-Ku Tokyo 104-0031 Japan  
Tel : + (81) 3 5250 7371  
Fax : + (81) 3 5250 5301

Suite 2211 - 12, Prudential Tower,  
The Gateway, 21 Canton Road,  
Kowloon, Hong Kong.  
Tel : + (852) 3106 2668  
Fax : + (852) 3106 0260

No.344, 6th Main, 1st Block, Koramangala  
Bangalore-560034 India  
Tel : + (91) 80 - 2550 0581  
Fax : + (91) 80 - 2550 0582

[www.exide.com](http://www.exide.com)

**EXIDE**  
TECHNOLOGIES  
INDUSTRIAL ENERGY

# Powerfit™



## Industrial Batteries – Network Power Powerfit ( FRONT TERMINAL ) AGM MODULAR PERFORMANCE

### Specifications

**EXIDE**  
TECHNOLOGIES  
INDUSTRIAL ENERGY

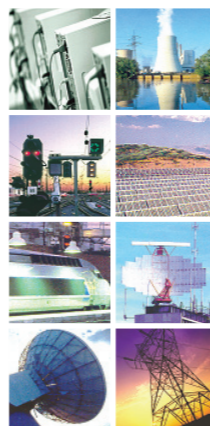
### Specifications

- Powerfit FT especially designed for telecommunications, utility and UPS offering a simplified modular back up power concept.
- Maintenance – free (no topping up) during the whole service Life
- Perfectly designed for high power density
- Nominal Capacity: 50-180 Ah
- In compliance with IEC 896-2
- Grid plate construction consisting of lead calcium alloy
- Very low gassing due to internal gas recombination (99% efficient)
- Low self discharge (about 3% / month at 20°C)
- UL recognized component
- Case Material: HB/ABS
- Trouble free transportation, not restricted for air transport - Complies with IATA/ICAO Special Provision A67
- Recyclable

### Applications

For telecommunications, and within both utility and UPS Applications, Powerfit FT batteries are efficient and reliable energy storage solutions especially during extended back up times

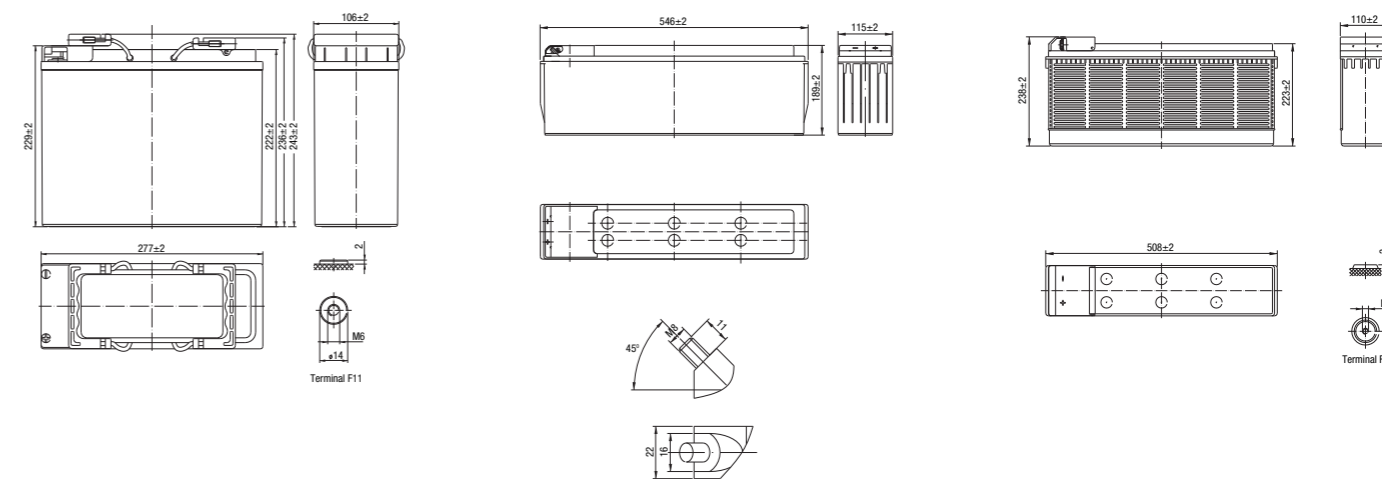
- Remote Switching
- Communication Equipment
- Telecommunication control equipment
- Emergency lighting systems
- Electric power systems
- Power station
- Nuclear power station
- Solar and wind powered systems
- Load leveling and storage equipment
- Marine equipment
- Power generation plants
- Alarm Systems
- Uninterruptible power supplies and standby power for computers
- Medical equipment
- Fire and security systems
- Control equipment



### Technical characteristics and data

Battery Type	Nominal Voltage V	10h Rate Capacity Ah	Length (l) mm	Width (b/w) mm	Height (h) mm	Total Height mm	Weight (approx) kg	Internal Resistance mΩ	Terminal
PFT 12V 50	12	50	277	106	222	222	17.3	8	F11
PFT 12V 80	12	80	564	115	189	189	28.2	7	F19
PFT 12V 100	12	100	508	110	223	238	32	6.3	F18
PFT 12V 105	12	105	395	110	286	286	35	4.5	F12
PFT 12V 125	12	125	436	108	317	317	41	6	F15
PFT 12V 140	12	140	552	110	288	288	49	4	F12
PFT 12V 180	12	180	546	125	317	317	60	3.8	F15

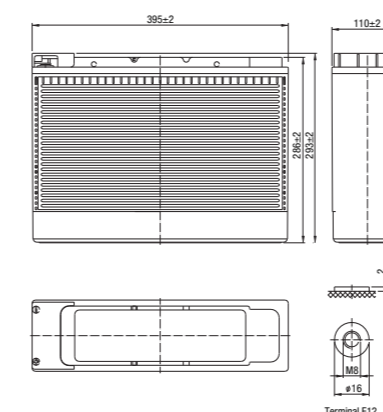
### Dimensions



**PFT 12V 50**

**PFT 12V 80**

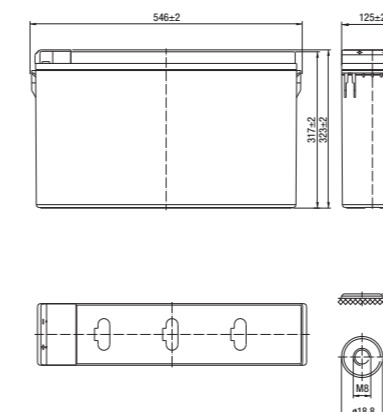
**PFT 12V 100**



**PFT 12V 105**

**PFT 12V 125**

**PFT 12V 140**



**PFT 12V 180**